



Fabric filtering roof



Polyester fabric HT
(streight to break 5500 N /5cm)

FABRIC STORAGE SILO

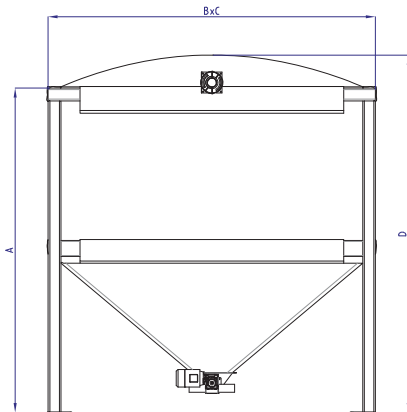
The silo for pellet model SIT, is a professional silo compatible with all systems of pneumatic extraction, the ideal solution for storage rooms and indoor places. It can be equipped with extraction unit through pneumatic or motorized screw.

- ⇒ GALVANIZED STEEL FRAME/ QUICK CONNECTION TO SUCTION PROBE
- ⇒ ADAPTABLE TO ANY KIND OF WX SUCTION SYSTEM
- ⇒ FILLING THROUGH FUEL FILLER STORZ TYPE
- ⇒ ANTISTATIC, HIGH RESISTANT POLYESTER FABRIC 355 gr /m²
- ⇒ IT IS PROVIDED IN PACKAGED PIECES/ QUICK ASSEMBLY

Standard equipment

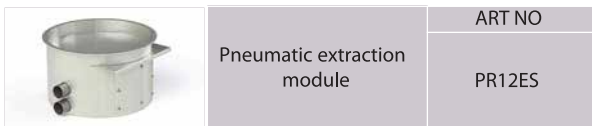
- ◇ Opening with manual loading
- ◇ Bolts kit
- ◇ Fuel filler for quick filling storz 4" type

ART NO	Volume (m ³)	Weight (ton)	Height A (cm)	Dimensions BxC (cm)	Height D (cm)	Extraction system
SIT5	5.3	3.2	220	214x214	225	pneumatic
SIT5-C	5.3	3.2	220	214x214	225	screw (0,18kw)
SIT8	6.7	4	230	240x240	235	pneumatic
SIT8-C	6.7	4	230	240x240	235	screw(0,18kw)
SIT10	10	6	250	250x250	255	pneumatic
SIT10-C	10	6	250	250x250	255	screw (0,18kw)



Silos up to 30 m³ are available to request

Accessories



Pneumatic extraction module

ART NO

PR12ES



Plug for fuel filler

ART NO

BR00ST



extraction module with screw

ART NO

CE00WX



Fuel filler for quick filling storz 4" type

ART NO

BR0004



Bend steel 90°

ART NO

CA5001



Compression clamp

ART NO

FS0001