



## STEEL STORAGE SILO

The storage tank SUM is the ideal solution for all pneumatic extraction systems

- ⇒ QUICK CONNECTION TO SUCTION PROBE
- ⇒ BUILT IN GALVANIZED STEEL
- ⇒ ADAPTABLE TO ANY SUCTION SYSTEM
- ⇒ MANUAL FILLING WITH BAGS/ PROTECTION GREED

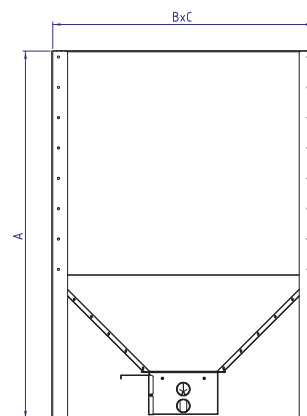
### Standard equipment

- ◇ Suction probe with extension door
- ◇ bolts kit



innovation for clean air

ART NO	Volume (m <sup>3</sup> )	Weight (kg)	Height A (cm)	Dimensions BxC (cm)	Extraction system
SL0001M	1	650	140	103x103	pneumatic
SL0001M	1	650	140	103x103	screw (0,18kw)
SL0015M	1.5	975	190	103x103	pneumatic
SL0015M	1.5	975	190	103x103	screw (0,18kw)
SL0003M	3	1950	190	103x206	pneumatic
SL0003M	3	1950	190	103x206	screw (0,18kw)



SL003M with kit for loading from tanker



Series assembly

### Accessories

	Pneumatic extraction module	ART NO
		PR00ES

	Silo extension module 0,5 m <sup>3</sup>	ART NO
		ES0050

	Pneumatic extraction module with screw	Articolo n°
		CE00WX

	Safety greed	ART NO
		GR0001

	Kit for loading from tanker ( for SL0001M )	ART NO
		KITSUM1

	Kit for loading from tanker ( for SL0003M )	ART NO
		KITSUM2