



## PNEUMATIC CONVEYOR WX52BFR

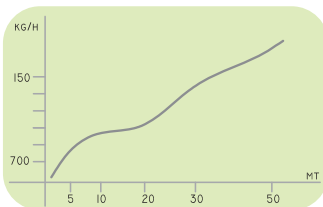
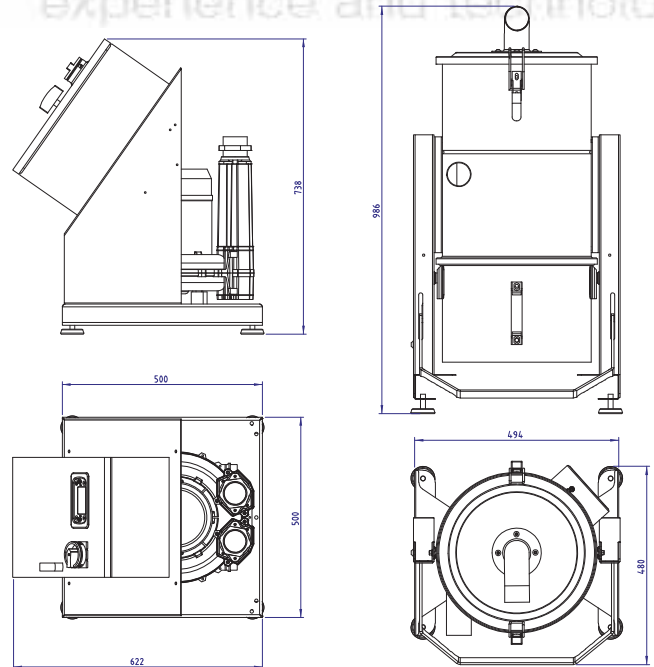
The pneumatic conveyor model WX52 is the ideal solution to load granular biomass products at considerable distance with rate flow up to 500kg/h.

- ⇒ IDEAL SOLUTION TO FEED INDUSTRIAL HEATING PLANTS
- ⇒ AUTOMATIC OPERATION
- ⇒ ADAPTABLE TO ANY HEATING SYSTEM
- ⇒ CHRONO TIME SETTING
- ⇒ MOTOR PROTECTION THROUGH A SOFT START
- ⇒ IT WORKS 24H /24

### Standard equipment

- ◇ Electrical display
- ◇ Self-cleaning filter cartridge
- ◇ Level Sensor
- ◇ Exhaust valve product
- ◇ Alimentation cable hopper 20 mt

| Model                     | Unit of measure | WX52BFR                 | WX52BFR-T        |
|---------------------------|-----------------|-------------------------|------------------|
| Rated electrical power    | kW              | 1,5                     | 1,5              |
| Rated voltage             | V               | 230 (inverter)          | 380 (soft start) |
| Rated frequency           | Hz              | 50                      | 50               |
| Internal hopper capacity  | lt              | 6                       | 6                |
| Max vacuum rate           | Mbar            | 275                     | 250              |
| Type of filter            | /               | Self-cleaning cartridge |                  |
| Pressure cleaning system  | Air             | 6 bar                   |                  |
| Structure                 | material        | carbon steel            |                  |
| Total weight              | kg              | 95                      | 95               |
| Motor dimension           | mm              | 500x 500 x H 700        | 500x 500 x H 700 |
| IN/OUT holes Ø            | mm              | Ø 50                    | Ø 50             |
| Filtering base dimensions | mm              | Ø 360 x H 1000          |                  |



### Accessories

|  |               |        |
|--|---------------|--------|
|  | Suction probe | ART NO |
|  |               | PR0001 |

|  |   |        |
|--|---|--------|
|  | Flexible antistatic hose<br>Ø 50<br>(min. order 20mt) | ART NO |
|  |   | TB0001 |

|  |                 |        |
|--|-----------------|--------|
|  | Compressor 6 lt | ART NO |
|  |                 | EINE01 |

|  |            |        |
|--|------------|--------|
|  | Fluidising | ART NO |
|  |            | SL0001 |

|  |                |        |
|--|----------------|--------|
|  | 90° steel bend | ART NO |
|  |                | CA5001 |

|  |                  |        |
|--|------------------|--------|
|  | Ash preseparator | ART NO |
|  |                  | PRC01  |